

KUBALIK 300 (KUB300)

GENERAL DATA



HIGH AIRFLOW RATE AND SILENT REVERSIBLE EXTRACTOR WITH AUTOMATIC NON-RETURN BACK DRAUGHT SHUTTER FOR WINDOW OR WALL INSTALLATION.

MANUFACTURING FEATURES:

Reversible, high-flow rate and silent extractor with automatic non-return back draught shutter to prevent the entry of unwanted or contaminant air. It can be installed in a window or wall. Being reversible you can choose if you want to provide air in a room or remove it. KUBALIK extractors are carefully designed to provide low environmental impact, using recyclable materials.

Housing and impeller made of UV-resistant ABS plastic (prevents aging caused by exposure to sunlight). The internal components are made of impact resistant PS. Self-lubricated bushings motor protected against thermal overload.

Easy and fast installation thanks to its innovative design.

Maximum working temperature in continuous: 50°C.

IPX4 protection. IMQ Safety certificate to guaranty the electromechanical compatibility.

Motor 230V 50Hz

APPLICATIONS:

Applicable to domestic spaces such as kitchens, dining rooms, laundry rooms, bathrooms, etc. But also, in commercial environments such as shops, bars, cafes, gyms, restaurants, offices, schools, etc.

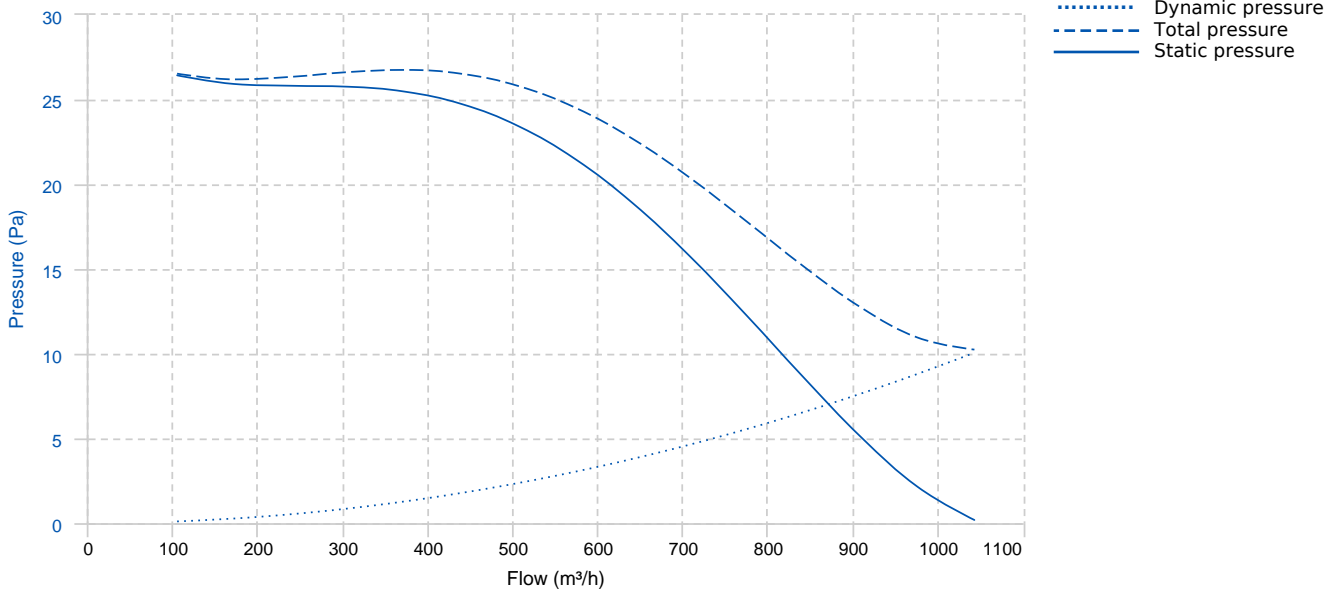
Designed to be installed in any type of window.

CO₂ CONTROL SOLUTION: **KUBALIK-CO2**

KUBALIK-CO2 by Casals is a simple ventilation system for continuous and slow renovation that hardly alters the indoor temperature. It is made up of two reversible fans such as KUBALIK (the same fan allows air to be supplied or extracted as configured) and a CO₂ sensor called SCO2 IAQ. [More information here.](#)

PERFORMANCE CURVE

20 °C - m - 1.2 Kg/m³



TECHNICAL DATA

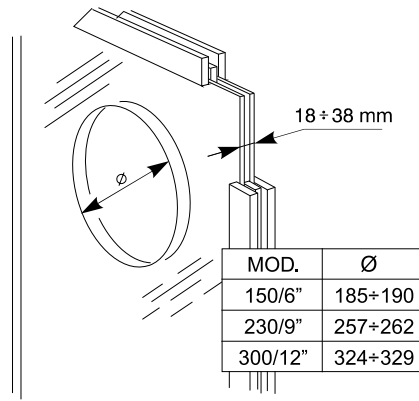
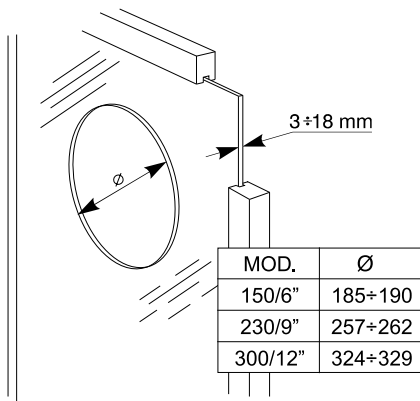
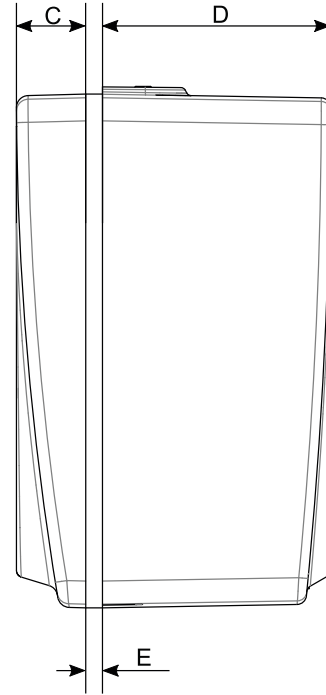
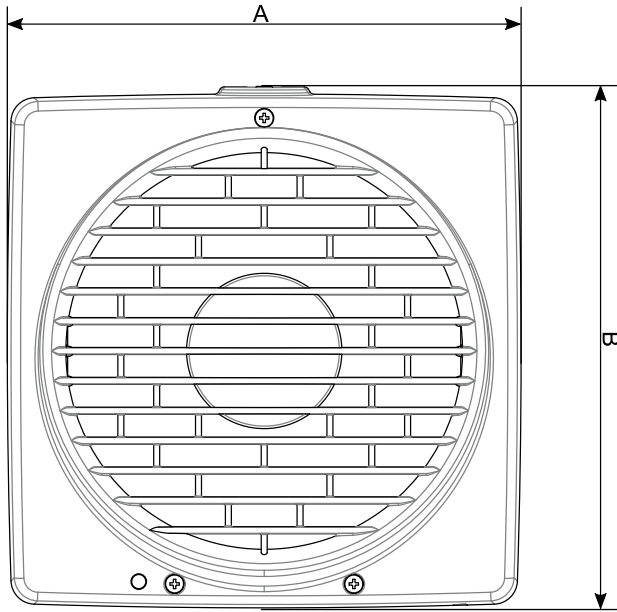
Fan

RPM	1085	Approx. weight	5.51 kg	Max. Flow	1050 m³/h
-----	------	----------------	---------	-----------	-----------

Motor

Power	0,045 kW	RPM	1085/840	I max. (230V)	0,21 A
-------	----------	-----	----------	---------------	--------

DIMENSIONS

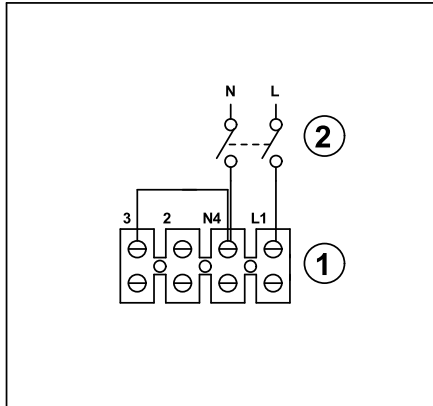


Dimensions (mm)

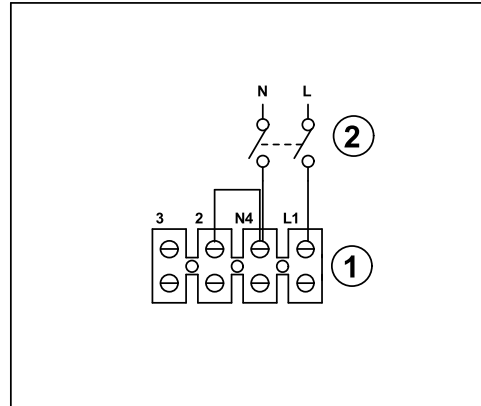
A	390	B	393	C	31	D	147	E	2/38
Øwall hole	324/329								

WIRING DIAGRAM

EXTRACTION / EXTRACCIÓN



SUPPLY / APORTACIÓN



- ① Terminal block
Bornes
- ② 2 pole switch
Interruptor bipolar

ACCESSORIES